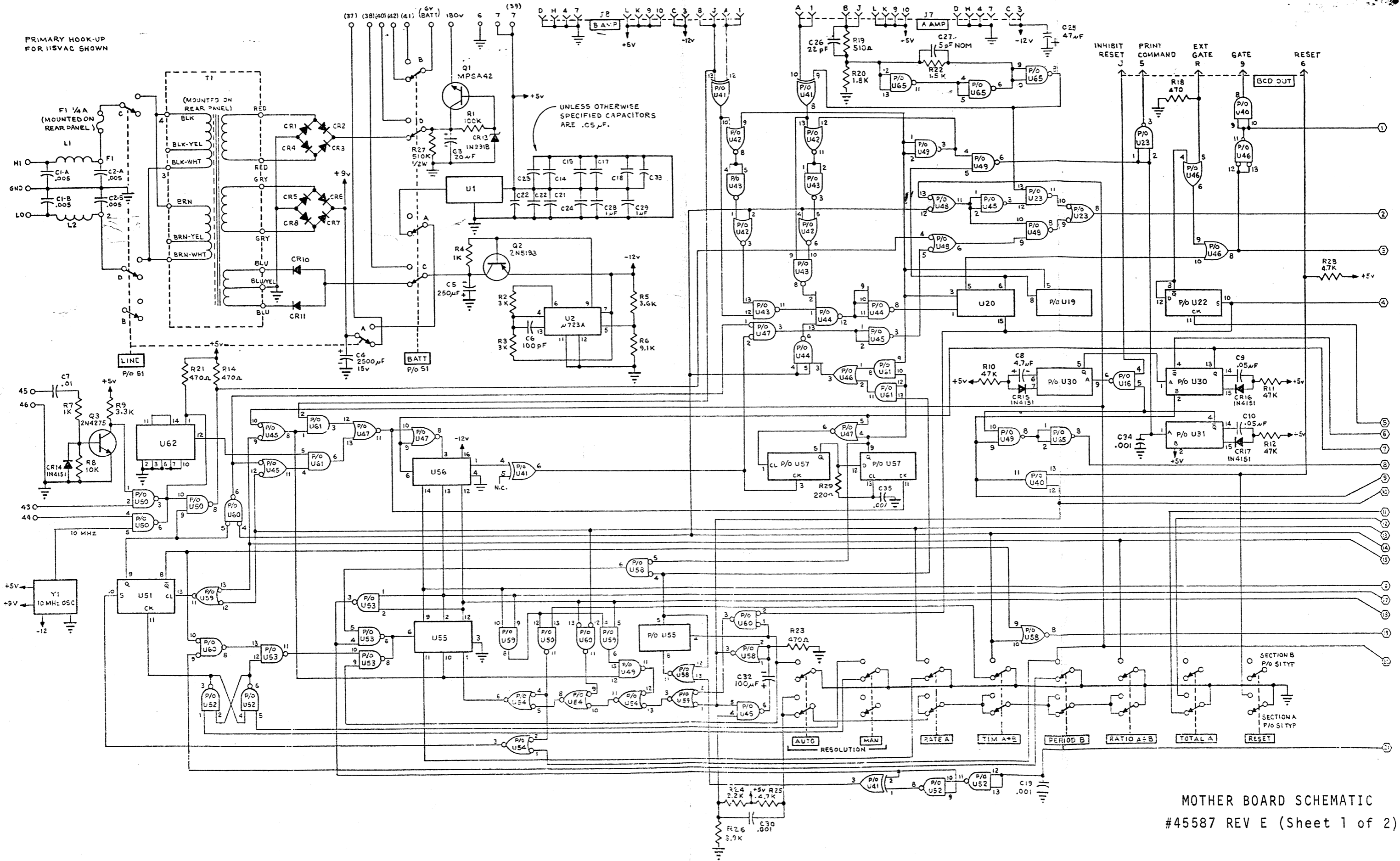
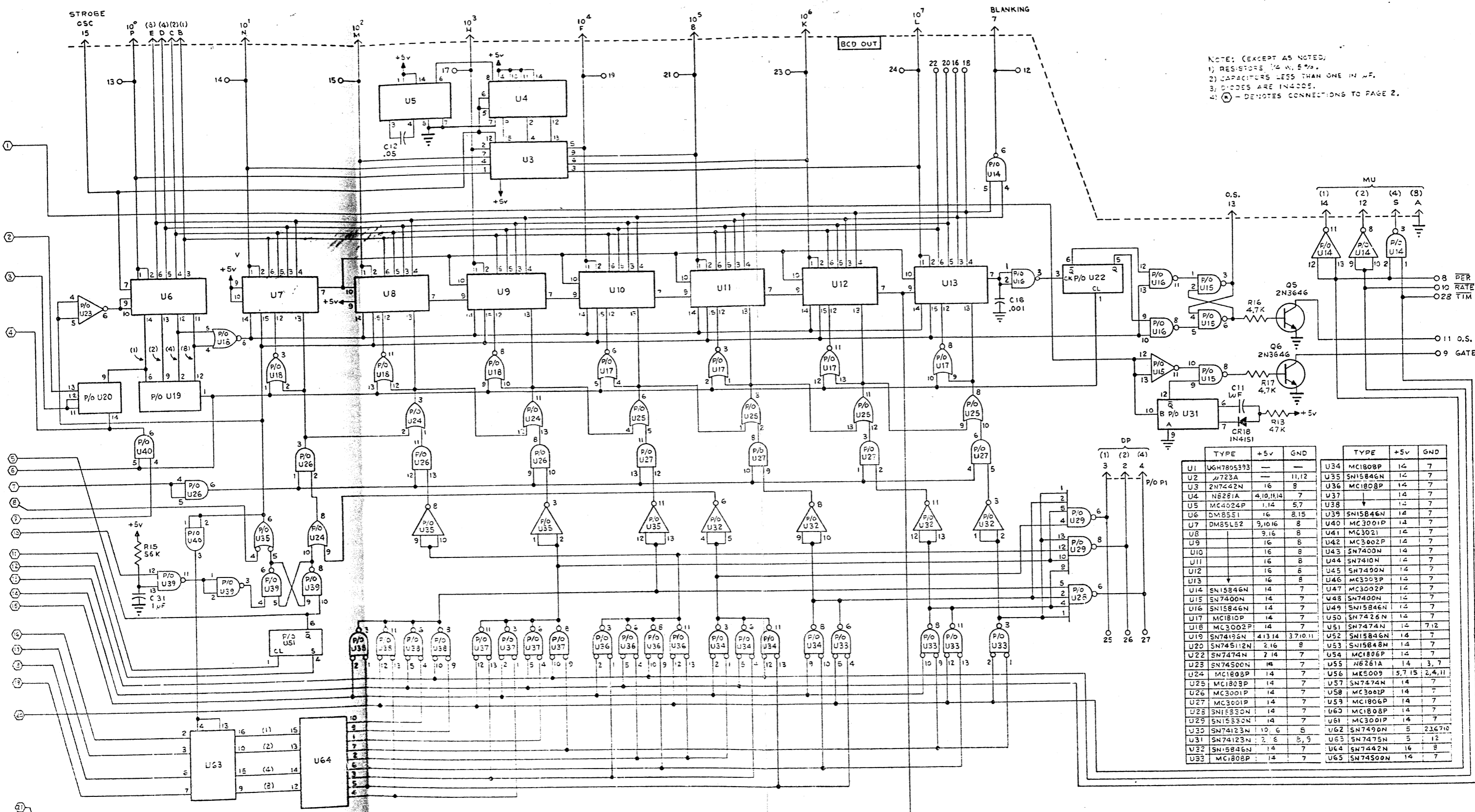


PRIMARY HOOK-UP FOR IISVAC SHOWN



MOTHER BOARD SCHEMATIC
#45587 REV E (Sheet 1 of 2)



NOTE: (EXCEPT AS NOTED)
 1) RESISTORS 1/4 W. 5%.
 2) CAPACITORS LESS THAN ONE IN W.F.
 3) DIODES ARE IN4001.
 4) ⊕ - DENOTES CONNECTIONS TO PAGE 2.

U#	TYPE	+5v	GND
U1	WGH7805393	—	—
U2	μ723A	—	11,12
U3	2N7422N	16	8
U4	NS281A	4,10,11,14	7
U5	MC4024P	1,14	5,7
U6	DM8551	16	8,15
U7	DM85LE2	9,10,16	8
U8	—	9,16	8
U9	—	16	8
U10	—	16	8
U11	—	16	8
U12	—	16	8
U13	—	16	8
U14	SN15846N	14	7
U15	SN7400N	14	7
U16	SN15846N	14	7
U17	MC1801P	14	7
U18	MC3002P	14	7
U19	SN74192N	4,13,14	3,7,10,11
U20	SN74512N	2,16	8
U21	SN7474N	7,14	7
U22	SN74S00N	14	7
U23	SN74S00N	14	7
U24	MC1803P	14	7
U25	MC1803P	14	7
U26	MC3001P	14	7
U27	MC3001P	14	7
U28	SN15330N	14	7
U29	SN15330N	14	7
U30	SN74123N	10,16	8
U31	SN74123N	2,16	8,9
U32	SN15846N	14	7
U33	MC1808P	14	7
U34	MC1808P	14	7
U35	SN15846N	14	7
U36	MC1808P	14	7
U37	—	—	—
U38	—	—	—
U39	SN15846N	14	7
U40	MC3001P	14	7
U41	MC3021	14	7
U42	MC3002P	14	7
U43	SN7400N	14	7
U44	SN7410N	14	7
U45	SN7490N	14	7
U46	MC3003P	14	7
U47	MC3002P	14	7
U48	SN7400N	14	7
U49	SN15846N	14	7
U50	SN7426N	14	7
U51	SN7474N	14	7,12
U52	SN15846N	14	7
U53	SN15846N	14	7
U54	MC1808P	14	7
U55	NS281A	14	3,7
U56	MC5009	5,7,15	2,4,11
U57	SN7474N	14	7
U58	MC3001P	14	7
U59	MC1806P	14	7
U60	MC1808P	14	7
U61	MC3001P	14	7
U62	SN7490N	5	2,3,6,7,10
U63	SN7475N	5	12
U64	SN7442N	16	8
U65	SN74S00N	14	7

MOTHER BOARD SCHEMATIC
 #45587 REV E (Sheet 2 of 2)